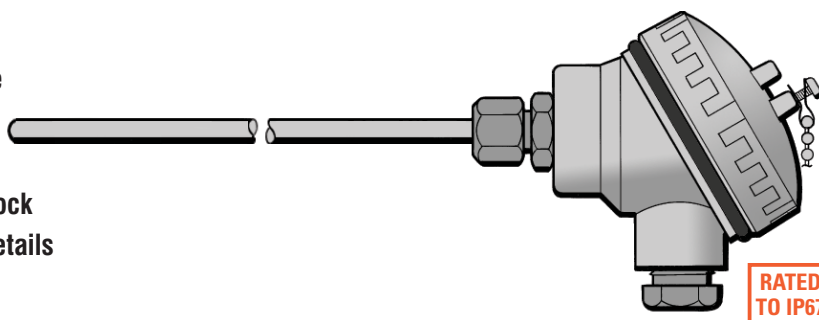


Custom Built Thermocouple Sensors with Standard Head

- Sensors made to meet your requirements
- Thermocouple types K, T, J, N and E available
- Sheath diameters from 4.5mm to 10.8mm
- Wide choice of sheath materials
- Die Cast Alloy Head with ceramic terminal block
- Calibration available, please contact us for details
- Generally shipped in 5 to 7 days or sooner

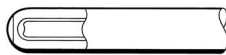



| SECTION 1 | Thermocouple Type | Temperature Range (continuous) |
|-----------|-------------------------------------|--------------------------------|
| K | Nickel Chromium vs Nickel Aluminium | 0°C to +1100°C |
| T | Copper vs Constantan | -185°C to +400°C |
| J | Iron vs Constantan | +50°C to +800°C |
| N | Nicrosil vs Nisil | 0°C to +1200°C |
| E | Nickel Chromium vs Constantan | 0°C to +800°C |

| SECTION 2 | Sheath Material | Maximum Temperature |
|------------|---|---------------------|
| 118 | 321 Stainless Steel (Types K, J, T & E) | 800°C |
| 125 | 310 Stainless Steel (Type K) | 1100°C |
| 176 | Inconel 600 (Types K & N) | 1100°C |
| 114 | Nicrobell D (Types K & N) | 1250°C |
| 156 | Hastelloy X (Type K) | 1220°C |

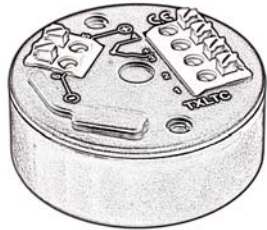
| SECTION 3 | Sheath Diameter (mm) | Sheath Diameter (inches) |
|-----------------------|----------------------|--------------------------|
| Standard Sizes | 4.5mm | 0.177" |
| | 5.5mm* | 0.216" |
| | 6.0mm | 0.236" |
| | 8.0mm | 0.315" |
| | 10.8mm* | 0.425" |

* 5.5mm and 10.8mm sheaths are thick wall for heavy duty use

| SECTION 4 | Types of Sensing Junction | |
|-----------|--|---|
| 2I |  | INSULATED (2ID for a Duplex element) |
| 2G |  | GROUNDED (2GD for a Duplex element) |

| SECTION 5 | Optional Stainless Steel Adjustable Compression Fittings | |
|-----------|--|-----------|
| Dia. | 1/4" BSPT | 1/2" BSPT |
| 4.5mm | ACF10S | ACF11S |
| 5.5mm | ACF13S | ACF14S |
| 6.0mm | ACF16S | ACF17S |
| 8.0mm | ACF27S | ACF56S |
| 10.8mm | — | ACF41S |

For our full range of fittings, please see pages 72 and 73

| SECTION 6 | Optional 4 to 20mA Head Mounted Transmitter (please specify range in °C) |
|--------------|---|
| TXLTC |  <p>Fully Linearised</p> |

| Order Code - Example | | | | | | | | |
|----------------------|-----------------------------------|---------------------|---------------------------------|-----------------------------|-------------------------------|----------------------------------|---|---------------------------------------|
| Type N° | Thermocouple Type (See section 1) | Sheath Length in mm | Sheath Material (See section 2) | Sheath Dia. (See section 3) | Sensing Junc. (See section 4) | Termination (Standard 3P11 Head) | Compression Fitting (Optional, see section 5) | Transmitter (Optional, see section 6) |
| 12 | - K | - 750 | - 118 | - 6.0 | - 2I | - 3P11 | - ACF16S | - TXLTC(0/100°C) |